

Battery Contact Kit

For RND Enclosures



FEATURES:

The contacts are installed in standard places of the compatible enclosures

Kit of contacts for 4 x AA batteries

SPECIFICATION:

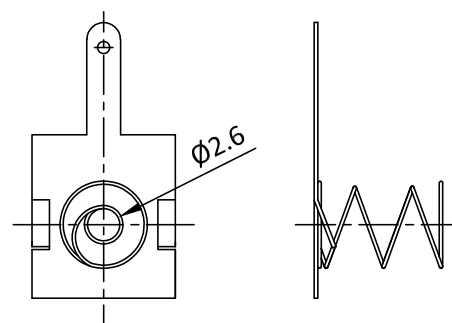
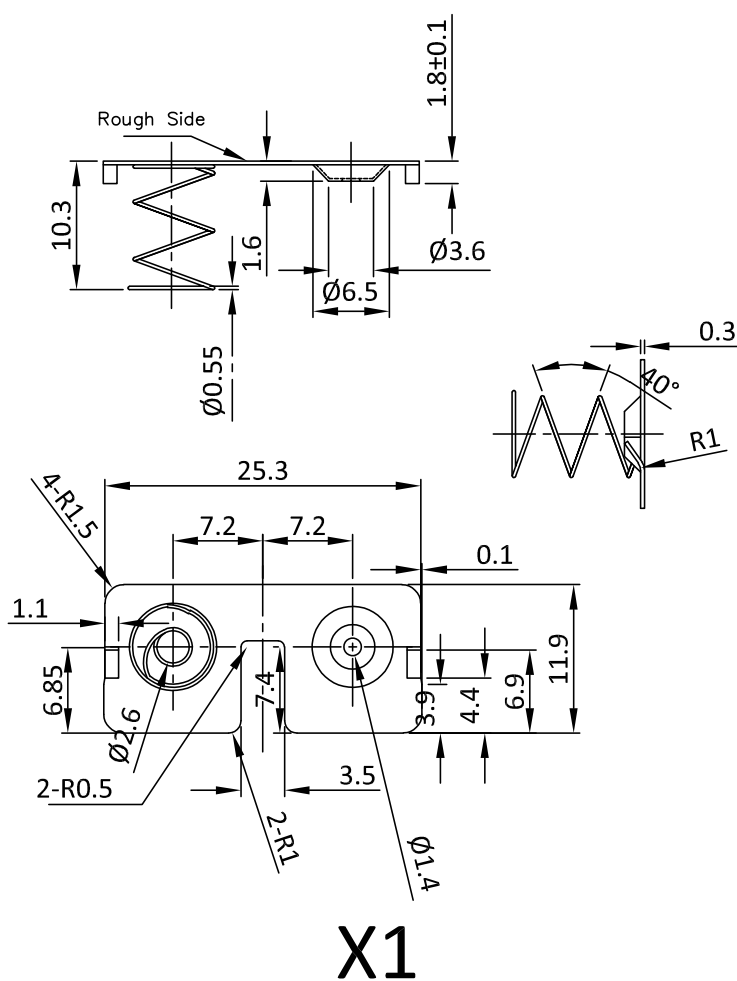
Material Metal

Art. Nr.

RND 455-00917



Note: Kit includes 3 parts



X1

